

Skellefteå Kraft

- Environmentally accepted small scale hydropower.

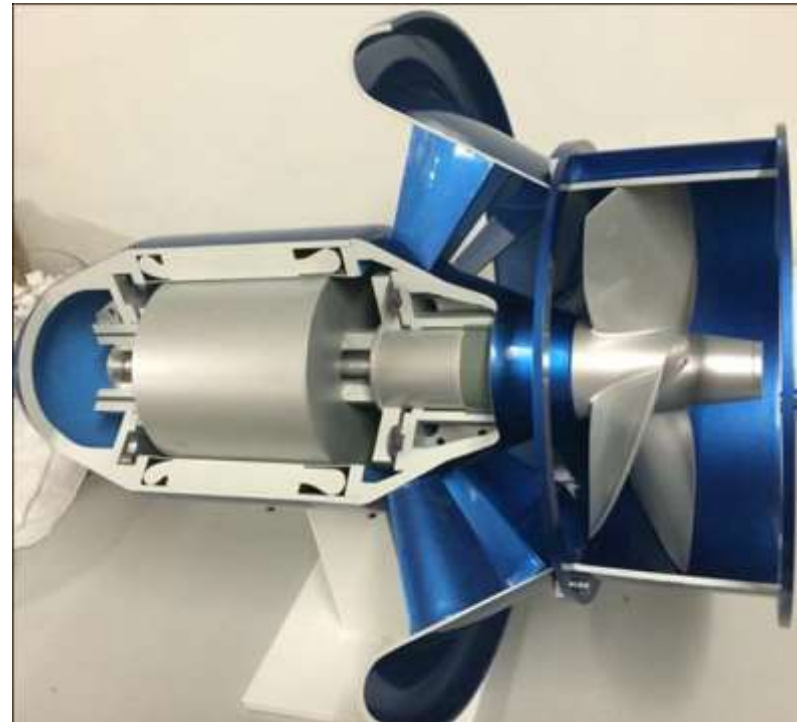


Sustainability



Biological diversity & Power production

- » Developing an environmentally friendly machine.
- » Partners from six energy companies and other interest groups led by Luleå University Of Technology (LTU).



Bruksfors Hydro Power Plant



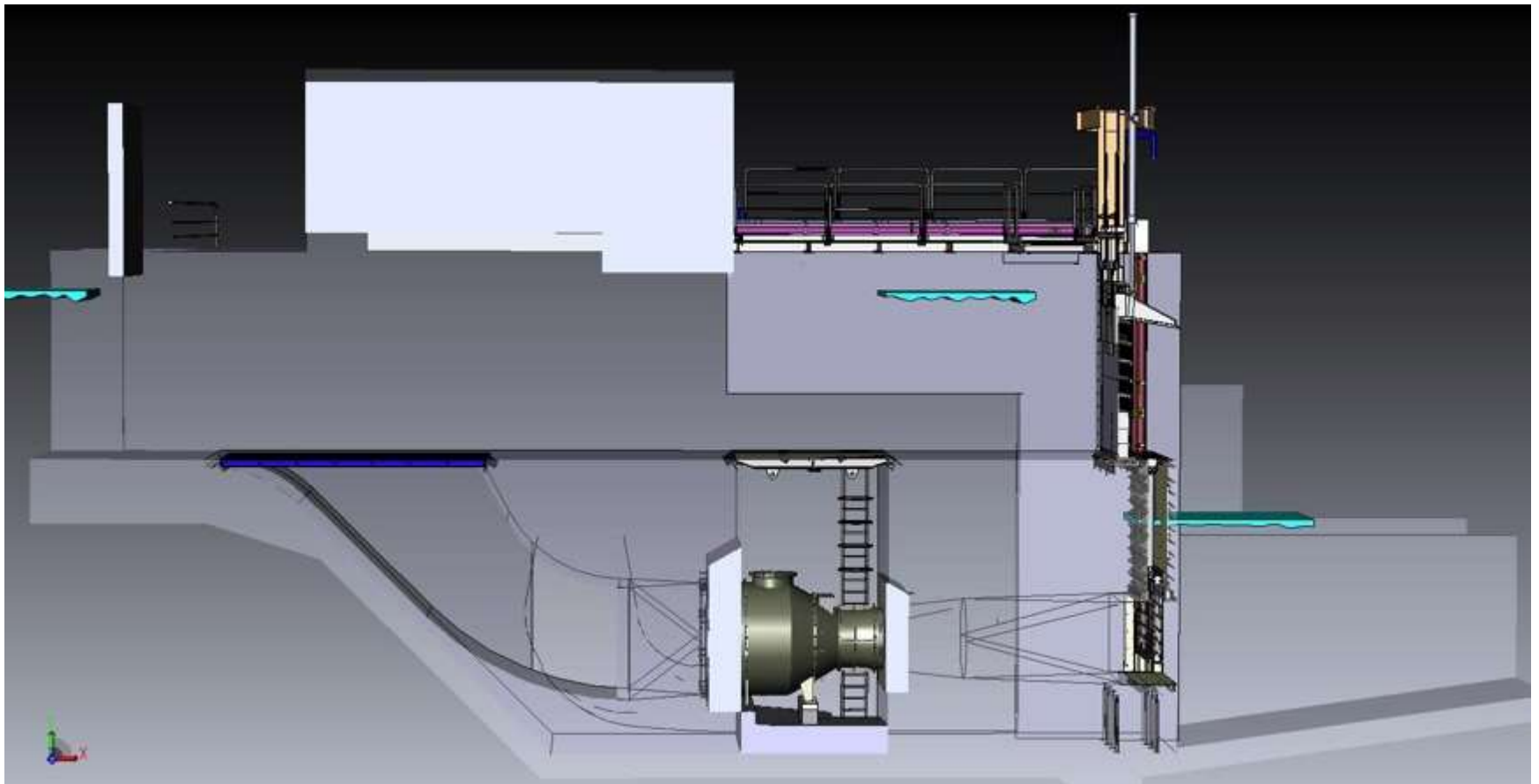
Bruksfors existing building

The new machine installed in the spillway.



Bruksfors new machine (StreamDiver)

Horizontal trash rack on the bottom.



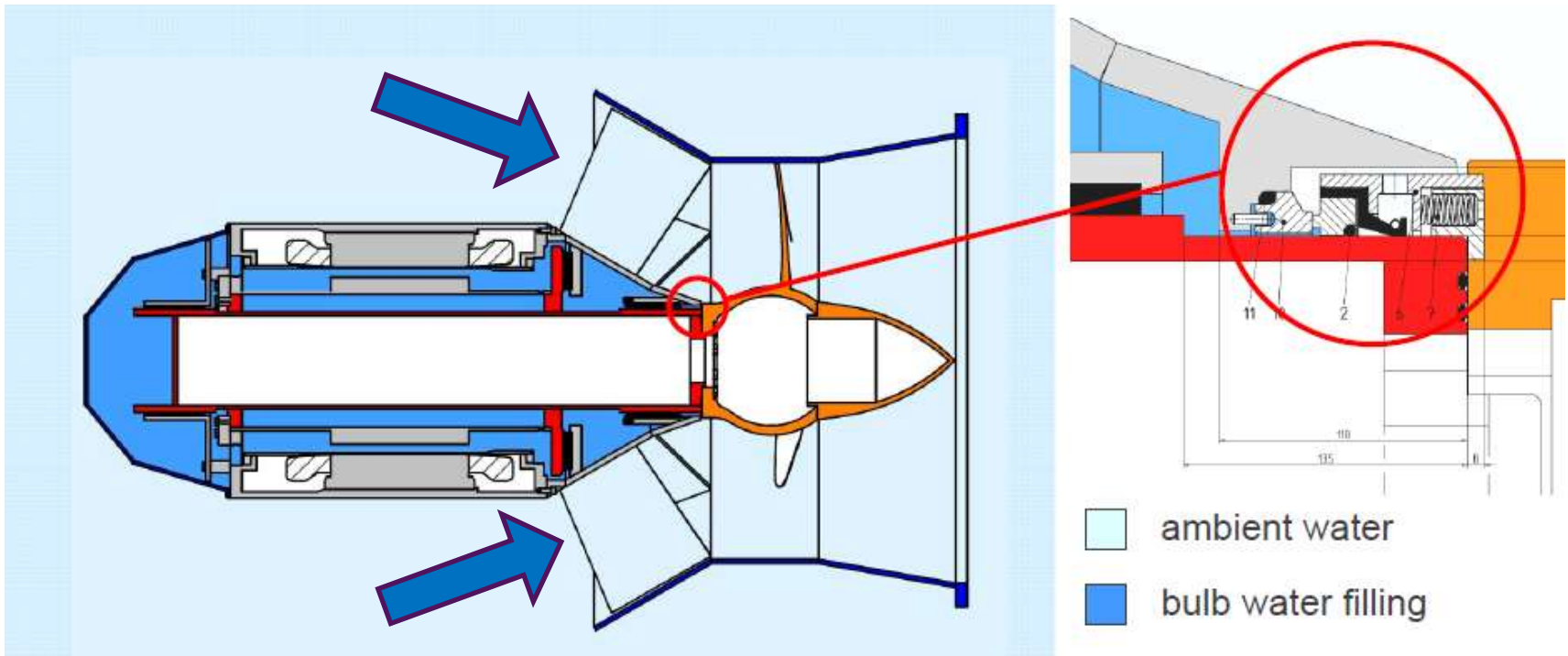


Machine seen through the manhole.



Trash rack.

New machine in cross section



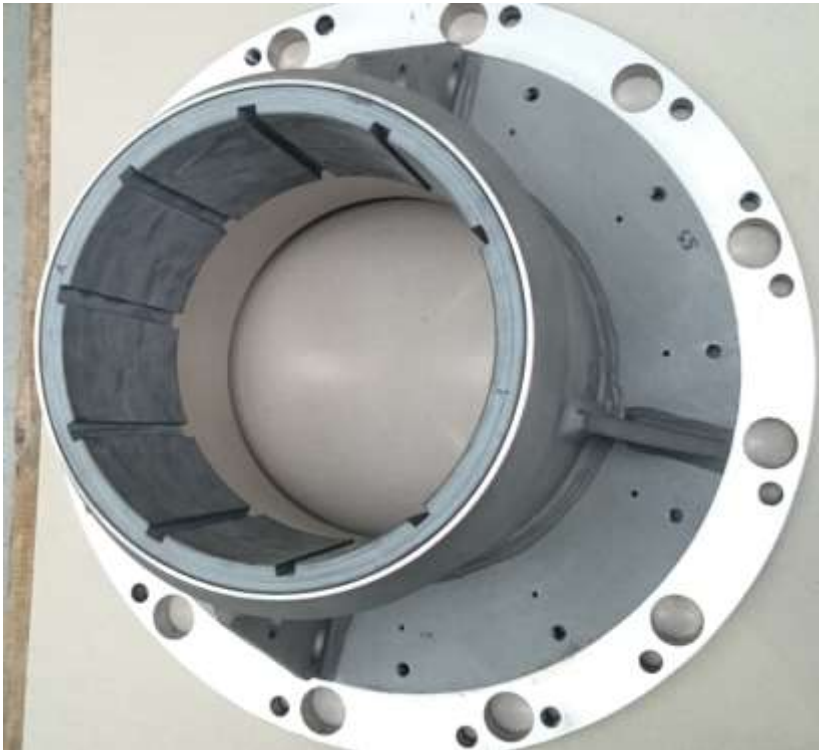
StreamDiver seen from turbine side



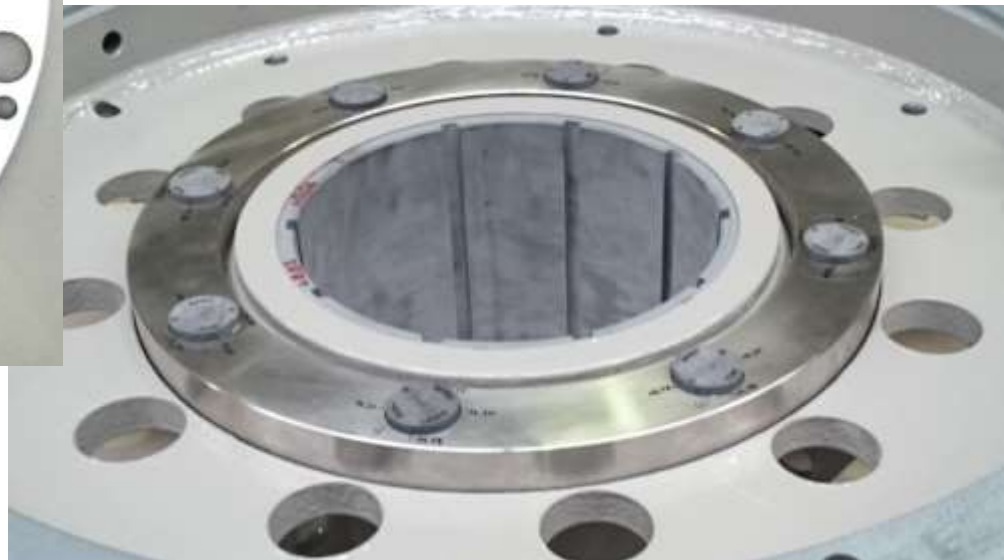
StreamDiver seen from generator side



Environmentally friendly design - free from oil and grease

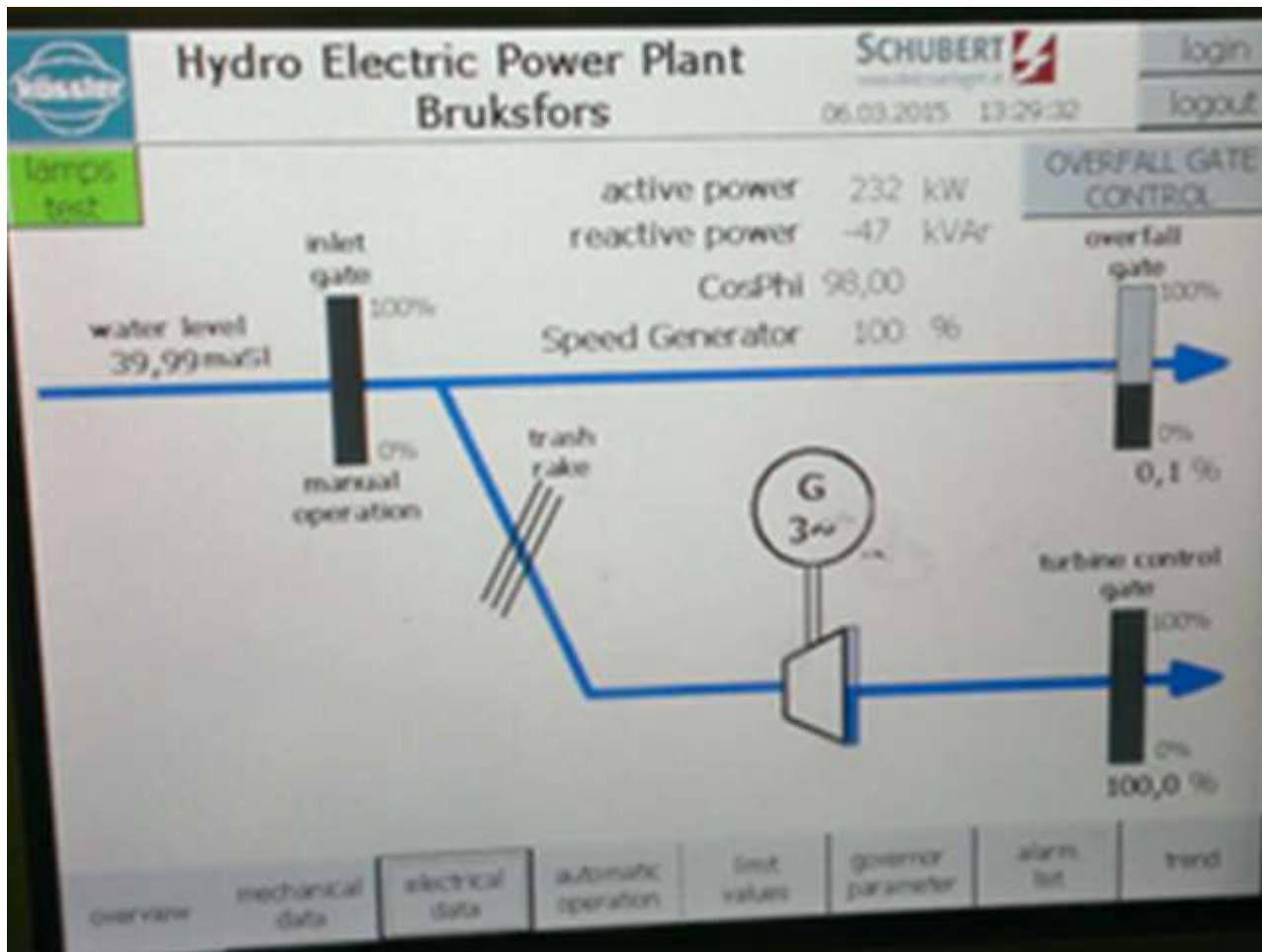


Watergreased radial bearing.



Watergreased thrust bearing pads.

Control panel



Smolt gates for downstream migration



Thank you!

